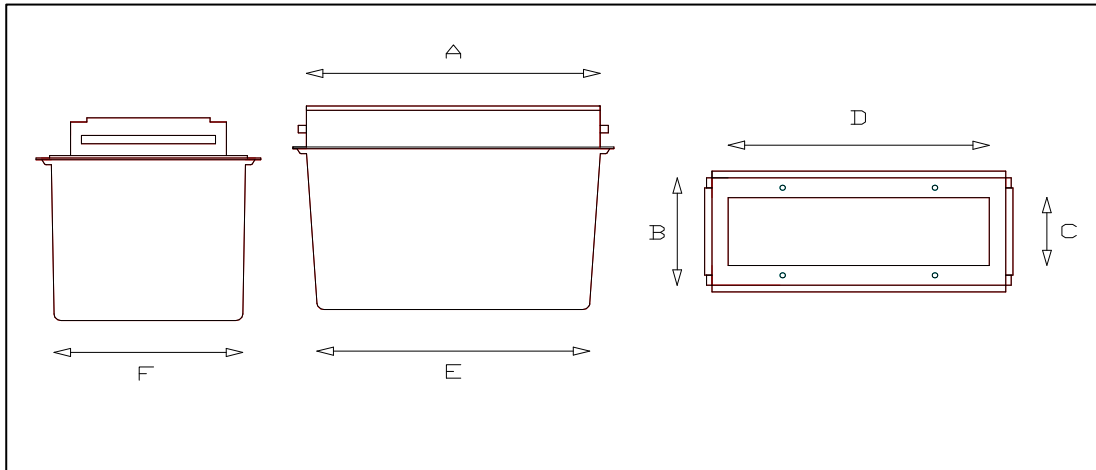


PETRO FIBERGLASS DISPENSER SUMPS

Petro Fiberglass Dispenser Sumps are installed beneath fuel dispensers to provide containment of plumbing, shear valves, and underground connections. Our Sumps feature a contractor-friendly, containment chamber for access to the piping connections during installation. You can depend on these durable sumps for all of your containment needs and especially suited for high water table applications. **Petro Fiberglass Sumps** are built by hand and this is the personal touch that makes the difference to you the Customer and Installer.

Ordering Specifications

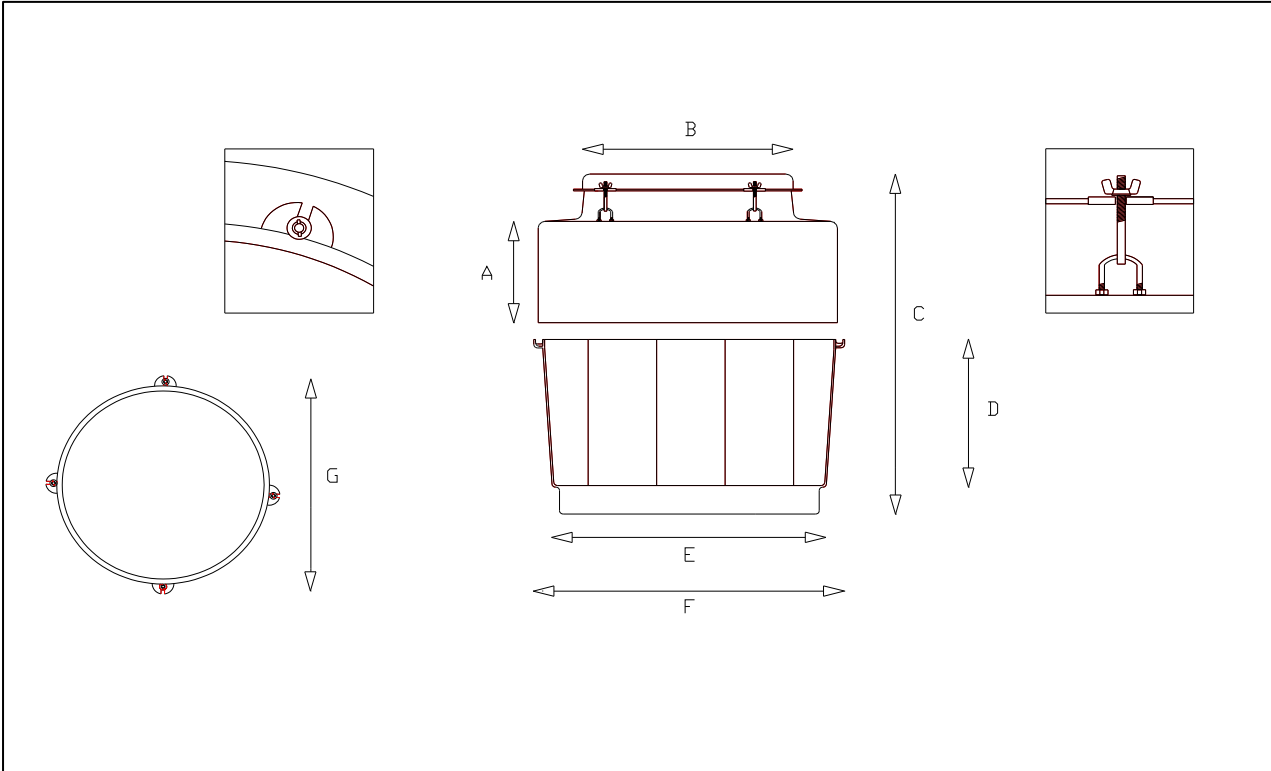


Dispenser Sumps	Model No.	A	B	C	D	E	F
	DPF 1A STD	39"	21 1/2"	15 1/4"	39"	37"	19 1/4"
	DPF 1A C	39"	21 1/2"	15 1/4"	39"	34"	25"
	DPF 1A W	39"	21 1/2"	15 1/4"	39"	41 1/2"	25 3/4"
	DPF 1B STD	39"	21 1/2"	15 1/4"	39"	37"	19 1/4"
	DPF 1C STD	41 1/2"	20 1/4"	15 1/4"	41 1/4"	40"	18 3/4"
	DPF 1D STD	41"	20 1/4"	10 1/4"	41"	40"	18 3/4"
	DPF 1E STD	36"	21 1/2"	17"	36"	37"	26"
	DPF 1E C	36"	21 1/2"	16 3/4"	36"	29 1/4"	24 1/2"
	DPF 1F STD	41"	19 1/4"	14 1/2"	41"	38 1/2"	18 1/2"
	DPF 1F C	41"	19 1/4"	14 1/4"	41"	34"	25"
	DPF 1C W	41 1/2"	20 1/2"	15 1/4"	41 1/2"	41 1/2"	26"
	DPF 1D W	41 1/2"	20 1/4"	10 1/4"	41"		
	DPF 2A STD	40 1/2"	16"	10 1/4"	40 1/2"	37 1/2"	14 1/2"
	DPF 2B STD	40 1/2"	16"	9 1/4"	40 1/2"	37 1/2"	14 1/2"
	DPF 2C STD	40 1/2"	16"	10"	35 3/4"	37 1/2"	14 1/2"
	DPF 2A W	40 1/2"	16"	10 1/4"	40 1/2"	40"	24"
	DPF 2B W	40 1/2"	16"	9 1/4"	40 1/2"	40"	24"
	DPF 2C W	40 1/2"	16"	10 1/4"	36"	40"	24"
	DPF 4A STD	29 1/2"	21 1/2"	15 1/4"	29 1/2"	27"	19"
	DPF 4B STD	24"	21 1/2"	16 3/4"	24"	23"	19"
	DPF 5B W	27"	16"	11"	23 3/4"	28 1/2"	23 1/2"
	DPF 5A W	27"	16"	7 1/2"	24"	28 1/2"	23 1/2"
	DPF 5C W	27"	16"	7 1/2"	23 3/4"	28 1/2"	23 1/2"
	DPF 7 STD	21"	15"	11"	21"	18 1/4"	15"
	DPF 7W	21"	15"	11"	21"	24"	24"
	DPF 7 TS	24 3/4"	19"	15"	21"	24"	24"

PETRO FIBERGLASS TANK SUMPS

Petro Fiberglass Tank Sumps are installed below grade on top of UST's to provide access to underground equipment such as submersible pumps, and various piping connections. Tank sumps extend from the top of the tank to just below a manhole cover at grade level, and provide a clean, dry working area to facilitate maintenance on UST equipment. Gel Coatings on inside provide high visibility during installation and maintenance. Our Fiberglass Sumps are especially well suited for the rigors of high water table installations. **Petro Fiberglass Sumps** are built by hand and this is the personal touch that makes the difference to you the Customer and Installer.

Ordering Specifications



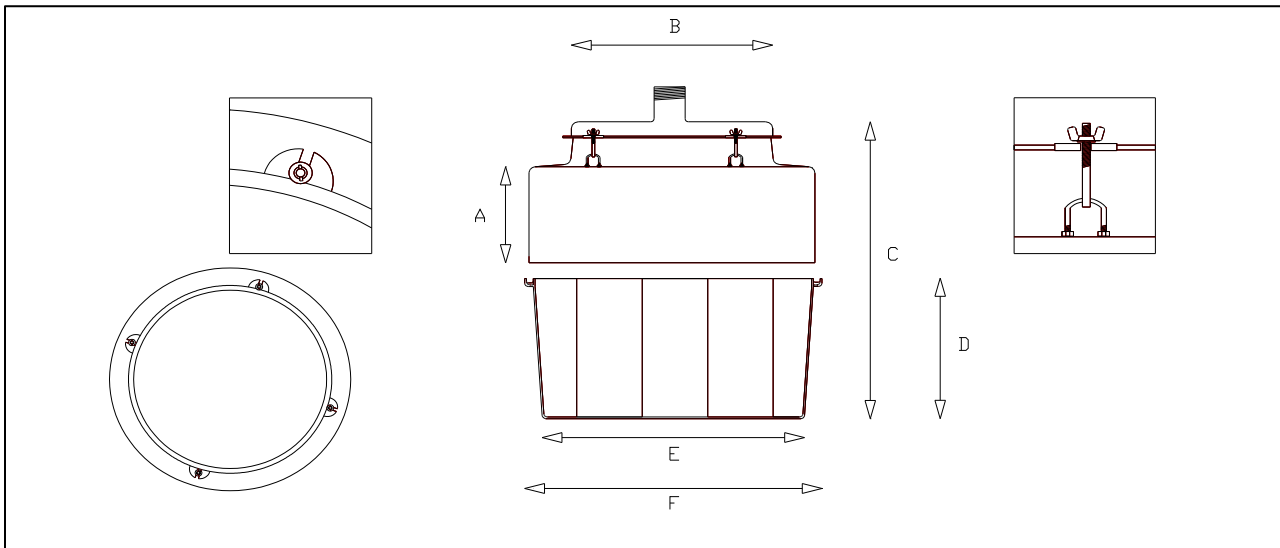
Water Tight Tank Sumps

Model No.	A	B	C	D	E	F	G
DPF 42 WT-10	22"	29 1/4"	40"	10"	37 1/2"	43"	35"
DPF 42 WT-16	22"	29 1/4"	46"	16"	37 1/2"	43"	35"
DPF 42 WT Lid & Cap	22"	29 1/4"	N/A	N/A	N/A	N/A	35"
DPF 42 WT w/6' Ext.	39"	29 1/4"	72"	16"	37 1/2"	43"	35"
DPF 42 WT-16 CMR	22"	29 1/4"	46"	16"	37 1/2"	43"	35"
DPF 48 WT-16	22"	29 1/4"	48"	16"	42"	51 1/4"	35"
DPF 48 WT Lid & Cap	22"	29 1/4"	N/A	N/A	N/A	N/A	35"
DPF 48 WT w/6' Ext.	39"	29 1/4"	72"	16"	42"	51 1/4"	35"

PETRO FIBERGLASS TANK SUMPS

Petro Fiberglass Tank Sumps are installed below grade on top of UST's to provide access to underground equipment such as submersible pumps, and various piping connections. Tank sumps extend from the top of the tank to just below a manhole cover at grade level, and provide a clean, dry working area to facilitate maintenance on UST equipment. Gel Coatings on inside provide high visibility during installation and maintenance. Our Fiberglass Sumps are especially well suited for the rigors of high water table installations. **Petro Fiberglass Sumps** are built by hand and this is the personal touch that makes the difference to you the Customer and Installer.

Ordering Specifications



Water Tight Tank Sump with Inspection Port

Model No.	A	B	C	D	E	F	G
DPF 42-10	15"	29 1/4"	34"	10"	37 1/2"	43"	35"
DPF 42-16	15"	29 1/4"	40"	16"	37 1/2"	43"	35"
DPF 42-22	15"	29 1/4"	46"	22"	37 1/2"	43"	35"
DPF 42 Lid & Cap	15"	29 1/4"	N/A	N/A	N/A	N/A	35"
DPF 42 w/6' Ext.	39"	29 1/4"	72"	16"	37 1/2"	43"	35"
DPF 48-16	15"	29 1/4"	48"	16"	42"	51 1/4"	35"
DPF 48 Lid & Cap	15"	29 1/4"	N/A	N/A	N/A	N/A	35"
DPF 48 w/6' Ext.	39"	29 1/4"	72"	16"	42"	51 1/4"	35"

NOTE: Inspection Port dimensions are 4 1/2" wide and 5 1/2" tall.

]